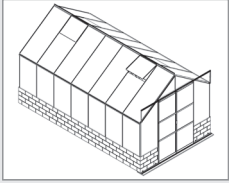
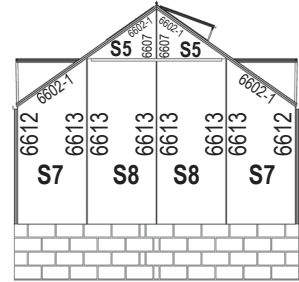


7

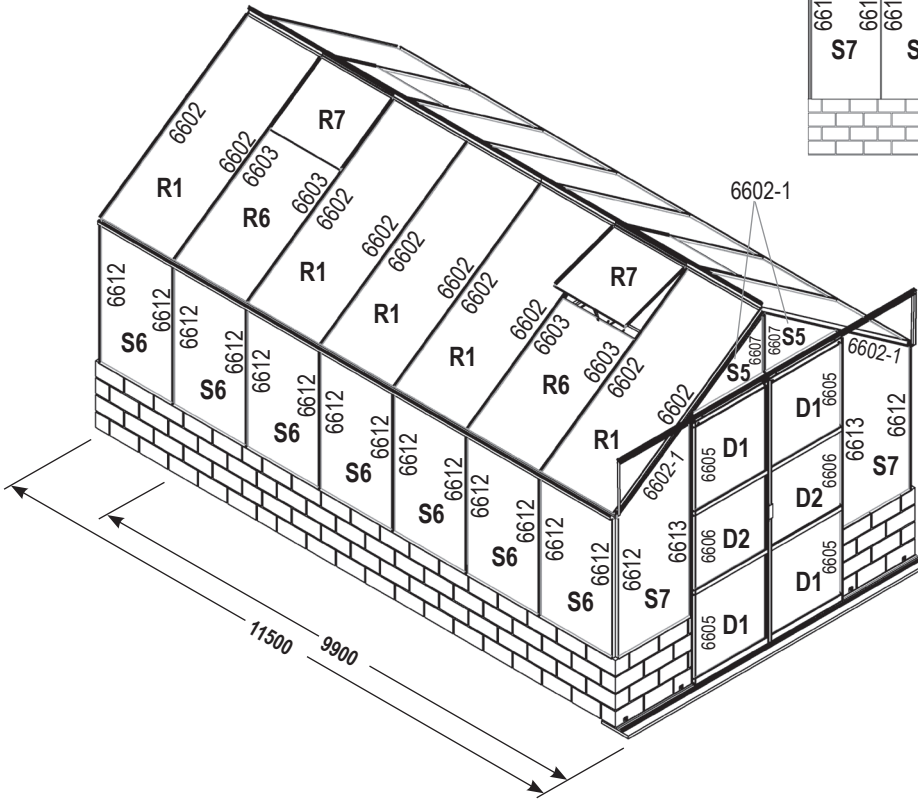


Part	Size (mm)	Cut	Part	Size (mm)
4x 6602	1509		8x 6602-1	≈748

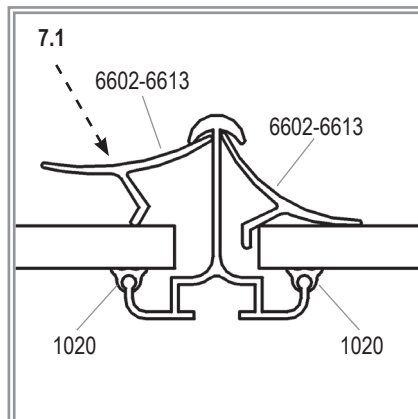


9900	11500
1020	
1x	1x

*	
6602	
20x	24x
6603	
8x	8x
6605	
8x	8x
6606	
4x	4x
6607	
4x	4x
6612	
28x	32x
6613	
8x	8x



Glass	Art. No.	3 mm	9900	11500
D1	3679011	610 x 610	4x	4x
D2	3679141	610 x 540	2x	2x
R1	3678231	612 x 1522	8x	10x
R6	3679681	612 x 982	4x	4x
R7	3679491	600 x 544	4x	4x
S5	3678341	612 x 430/3	4x	4x
S6	3678361	612 x 1018	12x	14x
S7	3678381	612 x 1471/1042	4x	4x
S8	3678371	612 x 1470	2x	2x
Total			44x	48x



CASSANDRA